



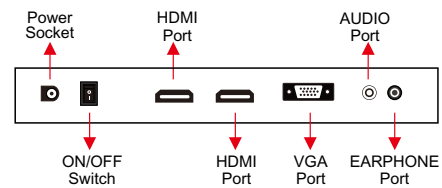
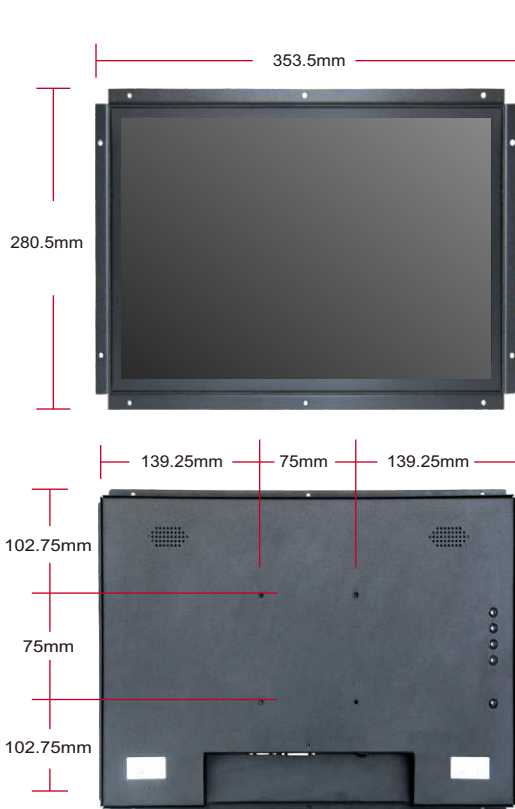
RCSTARS Professional LCD Monitors will catch the attention of your customers. High resolution, high performance could meet all kinds of needs of commercial users. Rcstars monitors have a wide range screen sizes from 10" to 84" with 24/7 applications, Eco-Friendly LED Backlit commercial displays consume 30% less power than CCFL-Backlit models, prolong the lifetime of LCD Screen itself. All monitors are with VGA/HDMI inputs, could connect with any type media player box, PC and video devices.

Key Features:

- 15 inch LCD Monitor
- 1024x768 resolution
- 85/85/85/85 viewing angle
- VGA/HDMI inputs
- 7-24 hours operation
- Standard 75x75MM Vesa Holes
- 2 High Quality Speakers
- Infrared touch/Capacitive Touch options

Application Areas

- Hospitals
- Retail Stores
- Shopping Malls
- Supermarkets
- Museums and Galleries
- Airports
- Train/Bus Stations



Specifications

DISPLAY	Panel Model	15inch TFT LED
	Max Resolution	1024x768
	Aspect Ratio	4:03
	Pixel Pitch	0.297x0.297
	Viewing Angle	85/85/85/85
	Contrast Ratio	1500:1
	Brightness	300cd/m ²
	Response Time	35ms
	Display Area (mm)	304.1x228.1mm
	Panel Size(mm)	326.5x253.5x9.6mm
	Screen Weight	950g
	Lamp Type	WLED
	INTERFACE	2*HDMI input
1*PC-RGB(VGA) input		
1*PC-Audio input		
1*Earphine output		
1*DC input		
PC-VGA		Up to 1920x1080@60Hz
HDMI	480i,480p,720i,720p,1080i,1080p	
Switch	Power on/off	
DESIGN	Color	Matte Black
	Wall Mount	VESA (75X75MM)

ON-SCREEN DISPLAY LANGUAGES	English, French, German, Italian, Polish, Russian, Simplified Chinese, Spanish, Turkish, Arabic, Japanese, Traditional Chinese etc.	
DISPLAY MODE	Portrait & Landscape	
POWER	Mains Power Consumption DC 12V, 50-60 Hz 16 W	
SOUND	Built-in Speakers 2 x 5W	
DIMENSION & WEIGHT	Machine Size	353.5x41x280.5mm
	Machine Weight	3.3KG
	Carton Size	500x475x410mm(5PCS)
	Carton Weight	18.8KG
OTHER	Regulatory Approvals Warranty	CE, FCC, ROHS, HDMI certificates 1 year warranty
ACCESSORIES	Remote Control Power Supply User's Manual	Optional x1 (DC adaptor/ DC cable) x1